



NVSAIR

ventilation for life



PRODUCT CATALOGUE

NDF - Wall Mounted Axial Fan

► NDF (Wall Mounted Axial Fan)

NDF fans can be used when low volume required. It is easy to install to walls and windows. Low noise level and power usage makes it an ideal solution for commercial usage.



DEFINITION

VALUE

MOTOR INSULATION CLASS	F CLASS
MOTOR PROTECTION CLASS	IP 44
MOTOR EFFICIENCY CLASS	-
MOTOR ENCLOSURE TYPE	EXTERNAL ROTOR MOTOR
MOTOR BRAND	-
BODY MATERIAL	GALVANIZED SHEET METAL
BODY COATING	POWDER COATING
IMPELLER MATERIAL	GALVANIZED SHEET METAL
DUTY CYCLE	IEC Duty Cycle-S1
WORKING TEMPERATURE	-20 - +50 °C
STANDARDS	IEC-60335-2-80, ISO 1940-1



MOTOR IN THE AIRSTREAM



EXHAUST



PRESSURIZATION



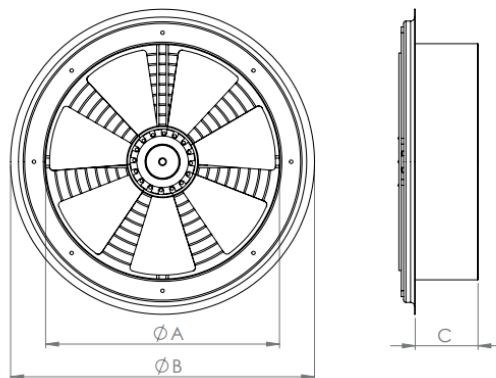
DUCT TYPE



MODEL	VOLTAGE (V)	FREQUENCY (Hz)	POWER (W)	REVOLUTION (rpm)	FLOW RATE (m ³ /h)	NOISE LEVEL (dB(A))
NDF 200	230	50	70	2.650	680	50
NDF 250	230	50	100	2.700	1.500	52
NDF 300	230	50	163	2.550	2.025	54
NDF 350	230	50	240	2.250	3.110	58

Values are for 0 Pa.

DRAWING



MODEL	A (mm)	B (mm)	C (mm)
NDF 200	197	290	70
NDF 250	247	340	70
NDF 300	297	390	80
NDF 350	347	440	80



+90 533 576 25 71



www.nvsair.com



info@nvsair.com



CONTACT

**Batı Sitesi Mah. 2310. Cad. No:50
Yenimahalle, Ankara, Türkiye**

P: +90 533 576 25 71

**info@nvsair.com
nvsair.com**