



# NVSAIR

ventilation for life



## PRODUCT CATALOGUE

NDD - Nvsair Double Inlet Radial Fans



+90 533 576 25 71



[www.nvsair.com](http://www.nvsair.com)



[info@nvsair.com](mailto:info@nvsair.com)

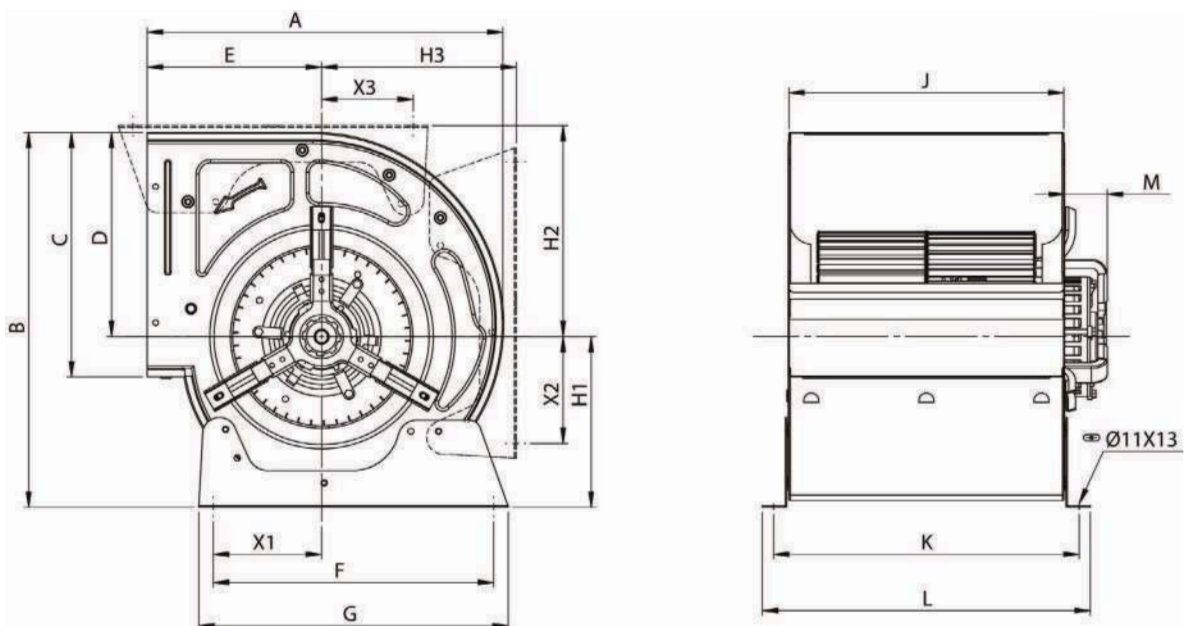
## ► NDD (Self-Motorized Double Inlet Centrifugal Fan)

The self-motorized, tightly bladed, double inlet centrifugal fan is manufactured in standard sizes ranging from 1800 m<sup>3</sup>/h to 5180 m<sup>3</sup>/h. It is preferred in applications where silence, comfort, and efficiency are expected, such as air handling units, fan coils, and heat recovery devices.



TYPE	VOLTAGE (V)	FREQUENCY (Hz)	INPUT POWER (W)	CURRENT (A)	SPEED (r.p.m)	AIRFLOW W (m <sup>3</sup> /h)	NOISE LEVEL (dB(A))	INSULATION CLASS	PROTECTION CLASS (IP)	WEIGHT (kg)
NDD 7-7	230	50	147	2,2	1300	1800	62	B	54	9
NDD 9-9	230	50	370	3,6	1300	2875	62	B	54	13
NDD 10-10	230	50	600	4,2	1380	3425	66	B	54	15
NDD 12-12	230	50	1100	5,8	900	5180	62	B	54	36

### DRAWING



TYPE	A (mm)	B (mm)	C (mm)	D (mm)	E (mm)	F (mm)	G (mm)	J (mm)	K (mm)	L (mm)	M (mm)	H1 (mm)	H2 (mm)	H3 (mm)	X1 (mm)	X2 (mm)	X3 (mm)
NDD 7-7	313	333	207	190	154	225	250	236	265	288	55	143	195	167	81	93	73
NDD 9-9	381	400	261	218	186	300	330	296	325	350	45	182	245	209	115	115	98
NDD 10-10	425	455	290	250	197	339	370	333	361	386	40	206	258	238	139	145	178
NDD 12-12	490	535	336	292	229	410	440	398	429	454	35	243	292	270	152	140	186



## **CONTACT**

---

**Batı Sitesi Mah. 2310. Cad. No:50  
Yenimahalle, Ankara, Türkiye**

**P: +90 533 576 25 71**

**info@nvsair.com  
nvsair.com**