



NVSAIR

ventilation for life



PRODUCT CATALOGUE

NBF - Bathroom Fan



+90 533 576 25 71



www.nvsair.com



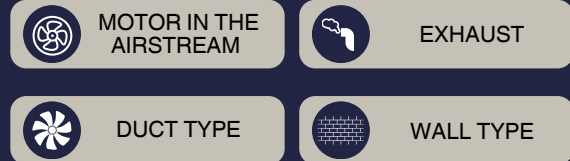
info@nvsair.com

► NBF (Bathroom Fan)

High quality PP materials are used in the production of NBFs. They can be used in bathroom walls or windows. Not suitable for ceiling mounting.

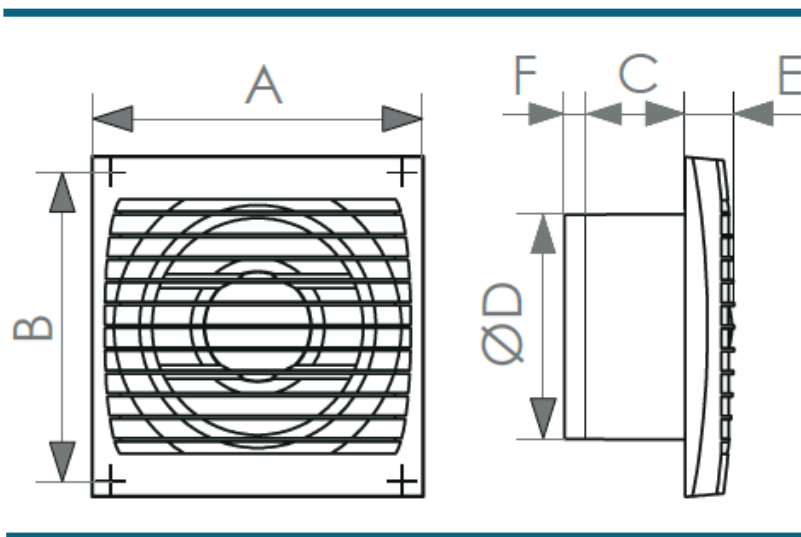


| DEFINITION | VALUE |
|------------------------|----------------------------|
| MOTOR INSULATION CLASS | F CLASS |
| MOTOR PROTECTION CLASS | IP 25 |
| MOTOR EFFICIENCY CLASS | IE2 |
| MOTOR ENCLOSURE TYPE | EXTERNAL ROTOR MOTOR |
| MOTOR BRAND | - |
| BODY MATERIAL | ABS PLASTIC |
| BODY COATING | ABS PLASTIC |
| IMPELLER MATERIAL | ABS PLASTIC |
| DUTY CYCLE | IEC Duty Cycle-S1 |
| WORKING TEMPERATURE | -20 - +50 °C |
| STANDARDS | IEC-60335-2-80, ISO 1940-1 |



| MODEL | A (mm) | B (mm) | C (mm) | D (mm) | E (mm) | F (mm) |
|---------|--------|--------|--------|--------|--------|--------|
| NBF 100 | 150 | 135 | 55 | 100 | 22 | 7 |
| NBF 125 | 175 | 160 | 61 | 125 | 23 | 8,5 |
| NBF 150 | 200 | 185 | 62 | 150 | 24 | 10 |

DRAWING

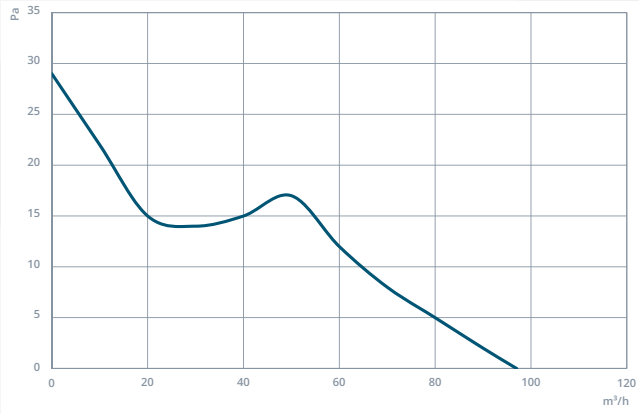


| MODEL | VOLTAGE (V) | FREQUENCY (Hz) | POWER (W) | REVOLUTION (rpm) | FLOW RATE (m³/h) | NOISE LEVEL (dB(A)) |
|---------|-------------|----------------|-----------|------------------|------------------|---------------------|
| NBF 100 | 230 | 50 | 14 | 2.800 | 97 | 35 |
| NBF 125 | 230 | 50 | 16 | 2.800 | 183 | 36 |
| NBF 150 | 230 | 50 | 16 | 2.800 | 290 | 38 |

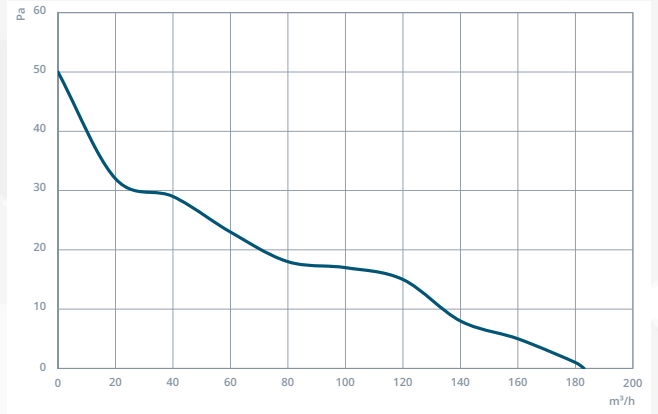
Values are for 0 Pa

PERFORMANCE CURVES

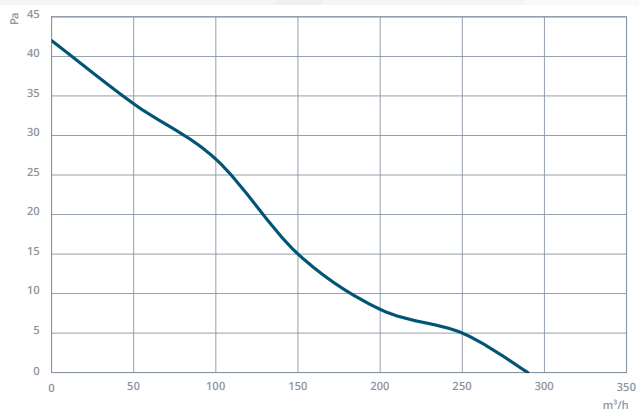
NBF 100



NBF 125



NBF 150





CONTACT

**Batı Sitesi Mah. 2310. Cad. No:50
Yenimahalle, Ankara, Türkiye**

P: +90 533 576 25 71

**info@nvsair.com
nvsair.com**