



# NVSAIR

ventilation for life



## PRODUCT CATALOGUE

NASF - Single Inlet Centrifugal Fan  
With Aluminium Body



+90 533 576 25 71



[www.nvsair.com](http://www.nvsair.com)



[info@nvsair.com](mailto:info@nvsair.com)

## ► NASF (Single Inlet Centrifugal Fan With Aluminium Body)

NASF fans with their aluminium injected bodies, forward-curved impeller and small size can be used in boilers. Using with BAXI fans it allows BAXI to be used in high-temperature for continuous use.



### DEFINITION

### VALUE

MOTOR INSULATION CLASS	F CLASS
MOTOR PROTECTION CLASS	IP 44
MOTOR EFFICIENCY CLASS	-
MOTOR ENCLOSURE TYPE	EXTERNAL ROTOR MOTOR
MOTOR BRAND	-
BODY MATERIAL	ALUMINIUM
BODY COATING	NONE
IMPELLER MATERIAL	GALVANIZED SHEET METAL
DUTY CYCLE	IEC Duty Cycle-S1
WORKING TEMPERATURE	-20 - +50 °C
STANDARDS	IEC-60335-2-80, ISO 1940-1



PRESSURIZATION



EXHAUST

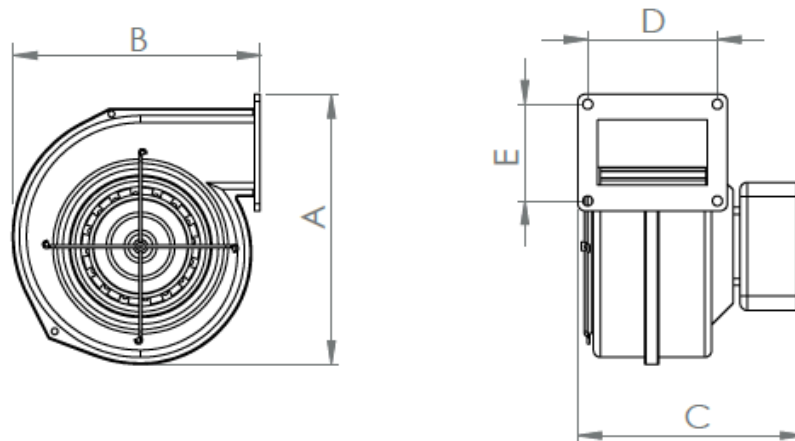


MOTOR OUR OF THE AIRSTREAM



MODEL	A (mm)	B (mm)	C (mm)	D (mm)	E (mm)
NASF 120	190	175	160	100	70
NASF 140	260	225	145	115	105
NASF 160	260	225	145	115	105

## DRAWING



MODEL	VOLTAGE (V)	FREQUENCY (Hz)	POWER (W)	REVOLUTION (rpm)	FLOW RATE (m <sup>3</sup> /h)	NOISE LEVEL (dB(A))
NASF 120	230	50	84	2.450	275	45
NASF 140	230	50	137	2.265	485	47
NASF 160	230	50	193	2.100	600	50

Values are for 0 Pa.



+90 533 576 25 71



www.nvsair.com



info@nvsair.com



## **CONTACT**

---

**Batı Sitesi Mah. 2310. Cad. No:50  
Yenimahalle, Ankara, Türkiye**

**P: +90 533 576 25 71**

**info@nvsair.com  
nvsair.com**