



# NVSAIR

ventilation for life



## PRODUCT CATALOGUE

NKF - Axial In-line Duct Fan

## ► NKF (Axial In-line Duct Fan)

NKF fans can be used when low volume ventilation needs. It is easy-to-install, has low noise level and power usage.



### DEFINITION

### VALUE

MOTOR INSULATION CLASS	F CLASS
MOTOR PROTECTION CLASS	IP 55
MOTOR EFFICIENCY CLASS	IE3
MOTOR ENCLOSURE TYPE	TEFC
MOTOR BRAND	-
BODY MATERIAL	GALVANIZED SHEET METAL
BODY COATING MATERIAL	ELEKTRO-STATIC POWDER COATING
IMPELLER MATERIAL	PLASTIC
DUTY CYCLE	IEC Duty Cycle-S1
WORKING TEMPERATURE	-20 - +50 °C
STANDARDS	IEC-60335-2-80, ISO 1940-1



MOTOR IN THE AIRSTREAM



EXHAUST



PRESSURIZATION



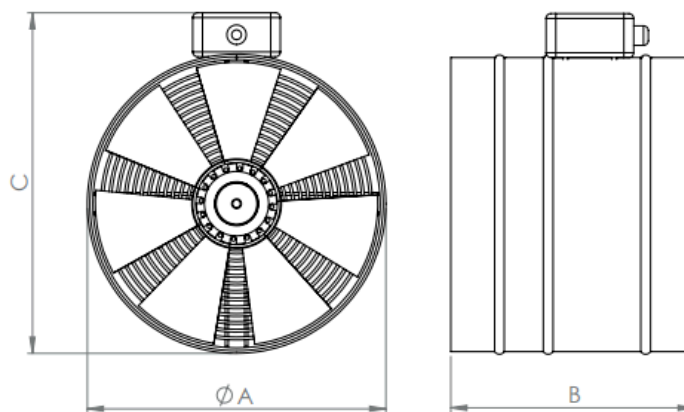
DUCT TYPE



MODEL	VOLTAGE (V)	FREQUENCY (Hz)	POWER (W)	REVOLUTION (rpm)	FLOW RATE (m <sup>3</sup> /h)	NOISE LEVEL (dB(A))
NKF 200	230	50	70	2.650	680	50
NKF 250	230	50	100	2.700	1.500	52
NKF 300	230	50	163	2.550	2.025	54
NKF 350	230	50	240	2.250	3.110	58

Values are for 0 Pa.

## DRAWING



MODEL	A (mm)	B (mm)	C (mm)
NKF 200	197	250	247
NKF 250	247	250	297
NKF 300	297	250	347
NKF 350	347	350	397



+90 533 576 25 71



www.nvsair.com



info@nvsair.com



## **CONTACT**

---

**Batı Sitesi Mah. 2310. Cad. No:50  
Yenimahalle, Ankara, Türkiye**

**P: +90 533 576 25 71**

**info@nvsair.com  
nvsair.com**